



## QUICK-START GUIDE

ONOMOTION.COM



### EXCHANGE BATTERY

Please open the safe first.

Then open the battery holder to be opened using the loop located there (left / right).

Pull on the respective loop until you hear a „click“.

The battery cover can now be opened and the battery carefully removed by pulling it upwards and then placing the new battery back in the battery compartment.



### SWAP EXCHANGABLE MODULES

**Caution:** Before replacing the exchangeable modules, please ensure that the parking brake on the vehicle is activated.

To replace the exchangeable modules, the optionally available ramps must be attached to the vehicle.

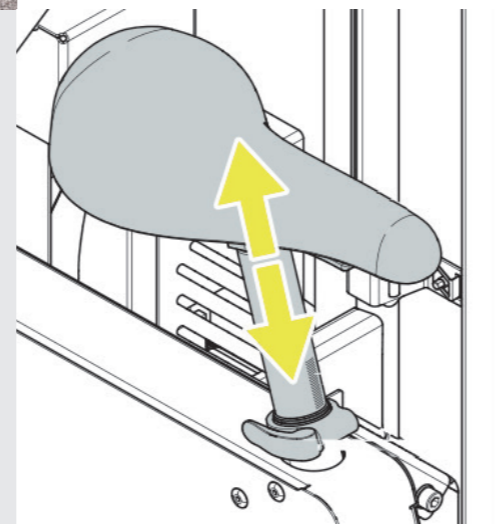
Then press and hold the button on the container module and hold the RFID tag against the RFID reader in the recessed grip of the container module.

The lock is now open and the container module can be rolled off the vehicle.



### RFID-TAG

The RFID tag is your personal key to the vehicle. You can use it to start the ONO, open the doors of the container module and unlock it to remove it from the vehicle.

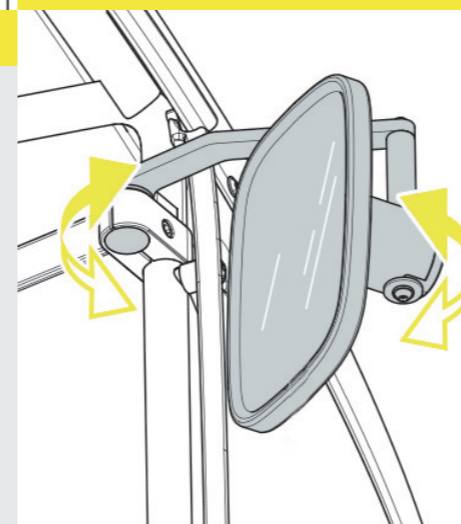


### SADDLE

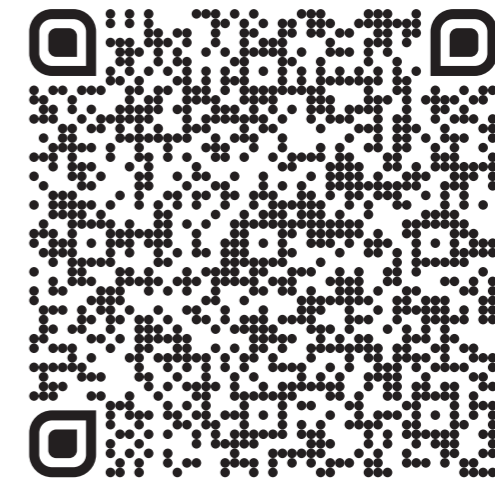
Use the tool supplied to adjust the saddle height so that you can ride comfortably, which you will find in the safe.

Position the rear-view mirror so that you always have the traffic in view.

### MIRROR



### ANY QUESTIONS?

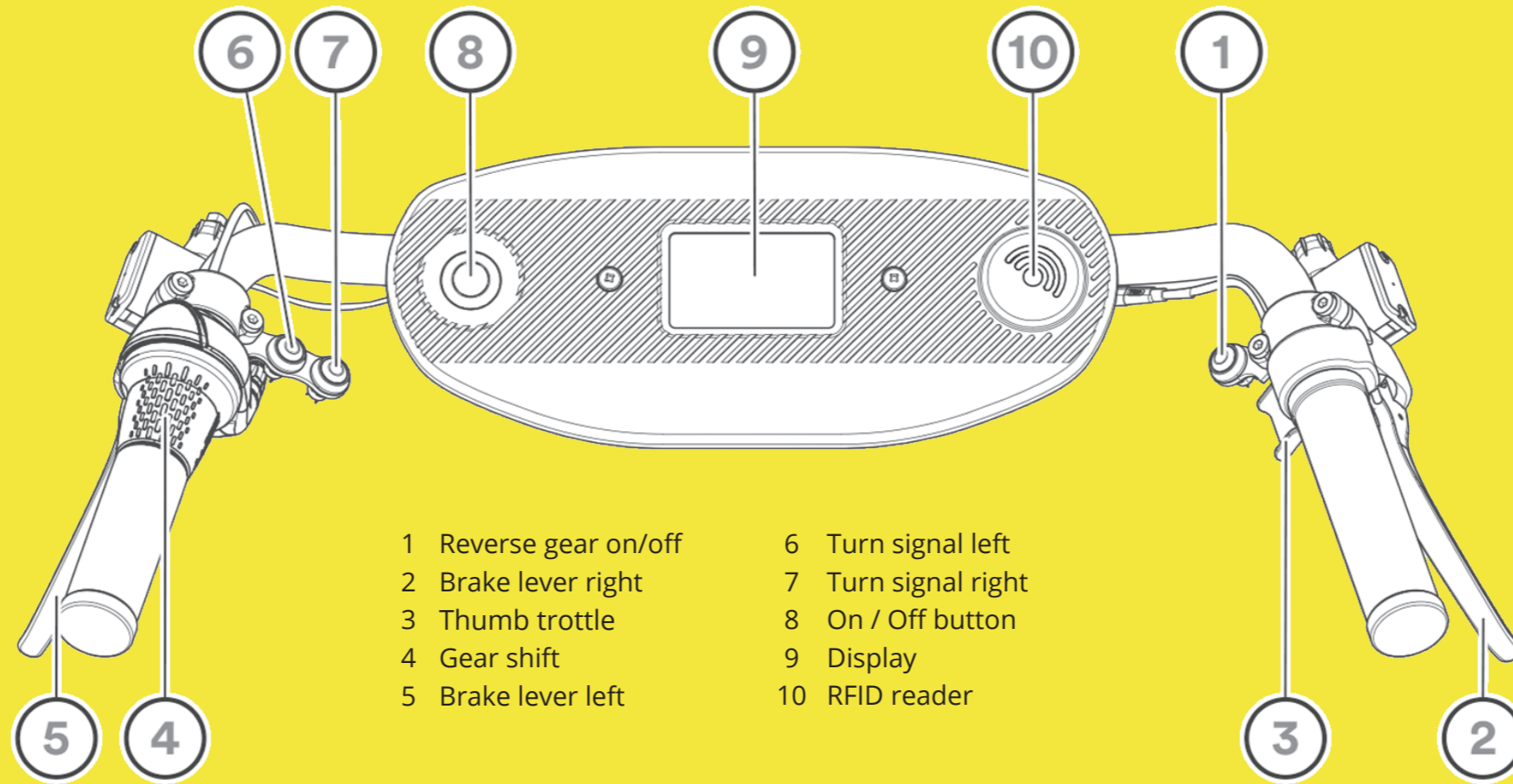


Visit us online at [onomotion.com](https://onomotion.com) or take a look at the detailed operating instructions. You can access these online via the dashboard.

Your team ONO!



## HOW TO OPERATE THE ONO!



- |                       |                     |
|-----------------------|---------------------|
| 1 Reverse gear on/off | 6 Turn signal left  |
| 2 Brake lever right   | 7 Turn signal right |
| 3 Thumb trottle       | 8 On / Off button   |
| 4 Gear shift          | 9 Display           |
| 5 Brake lever left    | 10 RFID reader      |



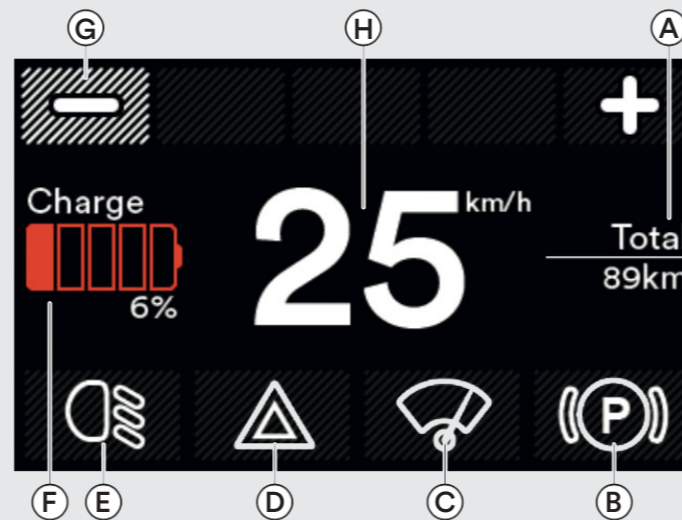
## HOW TO DRIVE

1. Unlock with RFID tag on the RFID reader (10).
2. Push thumb trottle to activate the start-up assist (3).

The vehicle will now start. It speeds up when you pedal. For walking speeds of up to 6 km/h, it is sufficient to operate the thumb throttle.

### ATTENTION!

The safe door must be closed for every journey.



- |   |                              |
|---|------------------------------|
| A | Mileage                      |
| B | Parking brake on/off         |
| C | Windshield wiper on/off      |
| D | Hazard warning lights on/off |
| E | Headlights on/off            |
| F | Battery charge               |
| G | Setting the support levels   |
| H | Speed display                |



## PARKING

1. Switch on the parking brake (B) or
2. Log off with the RFID tag on the RFID reader (10), this automatically activates the parking brake.

### ATTENTION!

Please park the vehicle preferably on the right-hand side of the road or on the edge of the sidewalk and take care not to obstruct moving traffic or pedestrians!

Always activate the parking brake when leaving the vehicle.